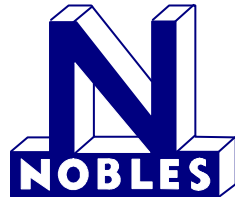
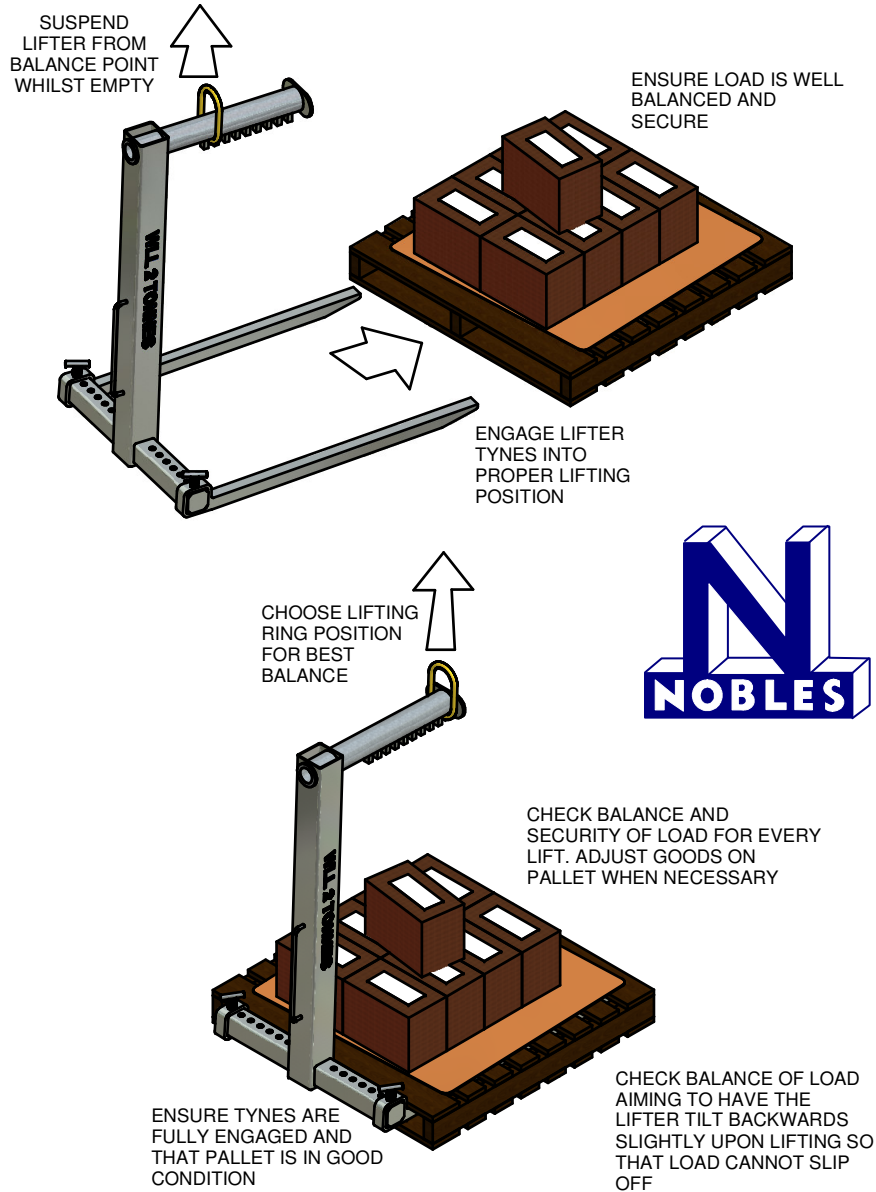


Use of Fork Type Pallet Lifter



Fork Type Pallet Lifter

ABOUT PALLET FORKS

Fork type pallet lifters (or "pallet forks" as they are sometimes called) are a valuable tool, they are used for transporting pallets in environments where there is a crane overhead but no forklift available. Frequently in these situations one may wish to shift pallets or load vehicles in the same way that one does with a regular forklift. Nobles Pallet lifters have been designed with durability and versatility in mind but are also amongst the lightest devices of their kind available. This is a valuable consideration when used with equipment such as truck mounted cranes.

There are limitations on the use of pallet forks which users should carefully note. Pallet forks cannot, for example be used to load pallet racking as they must support the load from above. Pallets forks, also must not be used for lifting goods to great height as they do not positively retain the pallet & goods onboard them. Used properly however, they are invaluable tools around the factory or warehouse or for loading and unloading vehicles.

For guidance on proper use of this device please read this entire leaflet and in each situation of use carefully assess the risk of accident.

GENERAL CAUTIONS

Ratings or Working Load Limits (WLL) shown in Nobles literature and stamped onto pallet lifters apply only to new or as new condition products. The working load limit can be affected by intentional alterations, damage, corrosion, misuse and special conditions of use. Always have your pallet lifters regularly inspected by a competent person who may suggest repairs or condemn your pallet lifters should anything such as the above be deleterious to the WLL.

Shock loading can greatly increase the actual loads placed on a pallet lifter. Extraordinary conditions such as shock loading must be taken into account when selecting products for use in pallet lifting systems.

The WLL which applies for any Nobles pallet lifter is only for the use of the device for lifting standard type goods pallets in accordance with safe practice and Nobles' recommendations. For all uses of fork type pallet lifters a risk assessment should be performed to analyse potential hazards. Where users intend using pallet lifters for unconventional tasks these should be assessed in detail by a competent person. Nobles will be happy to advise you on your special needs concerning this product.

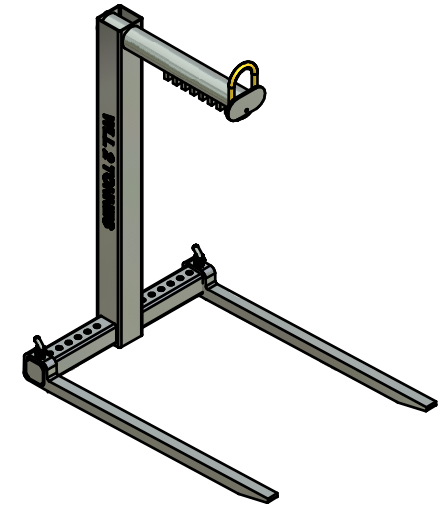
Pallets and the restraints used for securing their loads must always be correctly selected and fitted for every lift. Attention must be paid to the balance and security of the load.

Never weld any part of a pallet lifter without consulting the manufacturer. Special steels are commonly used and special welding procedures and precautions may be necessary.

IMPORTANT

For maximum safety and efficiency, pallet lifting systems must be properly designed, used and maintained. You must understand the use of pallet lifters in a lifting system. These instructions, and the standards to which they refer may use technical words and detailed explanations. IF YOU DO NOT UNDERSTAND ALL WORDS AND DIAGRAMS - DO NOT MAKE ASSUMPTIONS AND GUESSES AND DO NOT USE A PALLET LIFTER. For further assistance and training support contact your nearest Nobles branch.

NOBLES BRANCHES ARE LOCATED IN THESE CITIES:
ADELAIDE (HEAD OFFICE) - MELBOURNE - SYDNEY - NEWCASTLE - PERTH - BRISBANE - KARRATHA - ROCKHAMPTON - ROXBY DOWNS - WHYALLA - DARWIN - PT LINCOLN

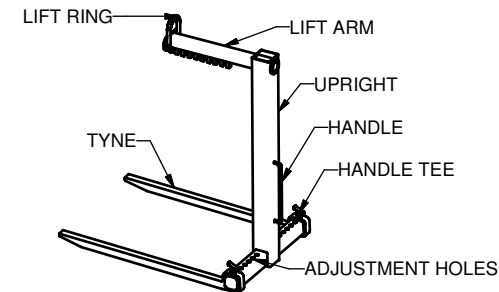


PALLET LIFTER

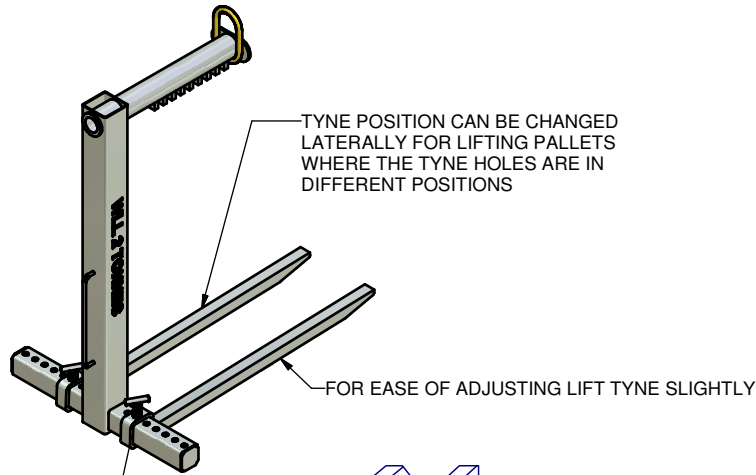


WARNING

- Improper use of this product could result in death or serious injury.
- Never exceed the working load limit.
- Lift only secure palletised goods with this device.
- Never hoist loads over or near people.
- Always operate, inspect and maintain this equipment in accordance with relevant safety standards.
- Always check the security of the load before lifting.
- If you are ever in doubt how to safely use this product contact your Nobles branch for advice - Don't Guess!
- This device (Pallet fork) is not for lifting pallets high off the ground.
- Only use properly made pallets in good condition.



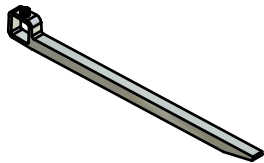
Adjusting Tyne Positions



UNDO HANDLE TEE TO ALLOW ADJUSTMENT. ENSURE TEES ARE SCREWED FULLY DOWN INTO HOLES BEFORE USE.



Service Parts



PALLET LIFTER TYNE



HANDLE TEE

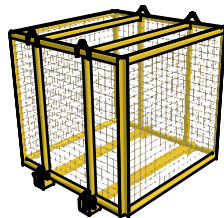


GMLLS13
13MM LARGE
SERIES
OBLONG LINK

Other Products

Nobles can supply a number of other products for handling pallets including:

- Pallet Lift Tower - for moving pallets between floors.
- Pallet bars - for moving pallets with slings
- Pallet frame & bar assys - for lifting fully loaded pallets using wire rope slings
- Pallet cages - for lifting loads high in the air, near personnel or with loads that may cause injury if they fall off the pallet like bricks.
- Height adjustable pallet forks
- Custom designed pallet forks for any load size or weight requirement.



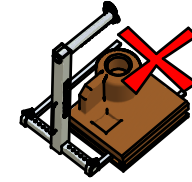
NOBLES PALLET CAGE FOR LIFTING ON CONSTRUCTION SITES, PALLETS OF BRICKS, REFRACTORY ETC.

Please talk to a Nobles representative about your special pallet lifting needs.

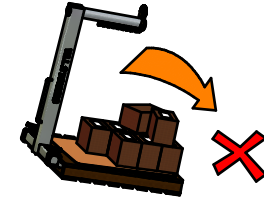


Care & Use Diagrams

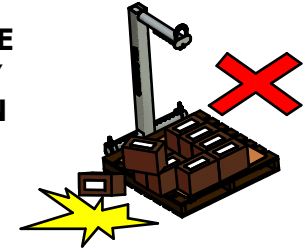
NEVER LOAD ONLY ONE TYNE!



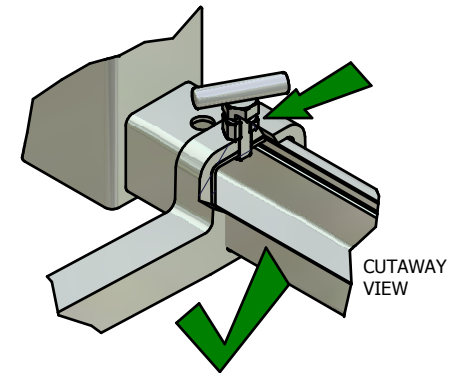
NEVER BALANCE LOAD FORWARD!



ALWAYS SECURE LOOSE LOADS & ENSURE THEY ARE WELL CENTRED ON THE PALLET!



ALWAYS ENSURE THAT TYNES ARE SECURELY RETAINED IN ADJUSTING HOLES WITH SCREWS PROVIDED.



LIFTS BALANCED FOR SLIGHT BACKWARD RAKE PREFERRED.

