

Load Mate Loadlinks

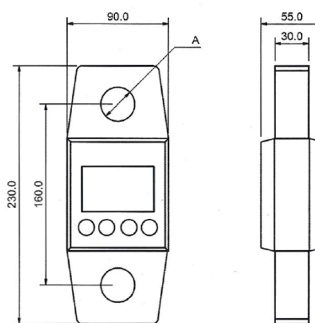
This Load Link is a combination of a sound and proven design, with today's advanced electronics to provide a superb feature set. It is versatile, reliable, accurate and easy to operate.

Features

- New Larger digits on the display
- Fits with standard Shackles
- Small/compact easy to use and carry
- Low power consumption design

Specifications

Display	Digit height 22mm -total screen size 39mm high
Increments	2000kg type = 1 kg , 5000kg type = 2kg
Stable Time	<10 seconds
Auto Zero Range	+/- 20% full scale (at power up)
Stable Time	+/- 2% full scale
Manual Zero Range	+/- 2% full scale
Tare Range	Full capacity
Overload Indication	100% full scale
Maximum Safe Load	120% full scale
Ultimate Safe Load	400% full scale
Batteries	3 x AA (included)
Battery Voltage	Indicated on the display on power up/down
Battery Life	>300 hours



Product Specifications

Name	ITEM #	WLL (tonnes)	A (mm)	Material	Weight (kg)
LOADMATE 5 tonne LOADLINK Completed Kit	29288	5	30	Stainless Steel	3.5
LOADMATE 2 tonne LOADLINK Completed Kit	29287	2	23	Aluminium Alloy	2

Uncontrolled version printed 28-Nov-2021 .See www.nobles.com.au for latest up-to-date product information.