

NOBLE10™

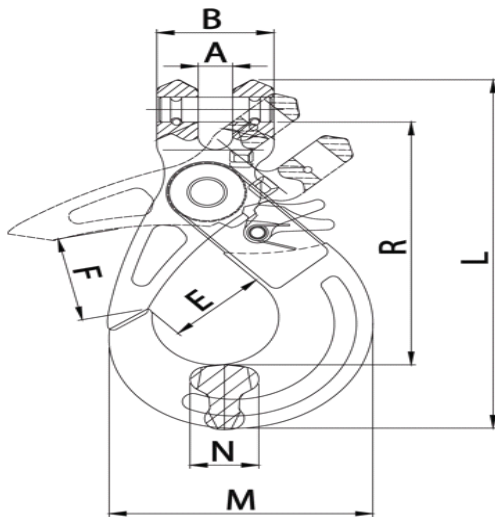
NOBLE10™ Clevis Self-Locking Hook

NOBLE10™ Grade 100 chain fittings are manufactured to Australian Standard AS3776.

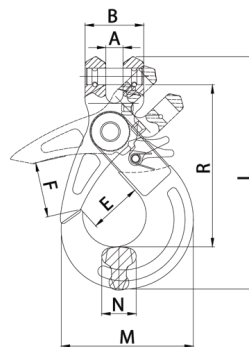
Sourced from the highest quality material and rigorously tested, the NOBLE10™ Grade 100 Self-Locking Hook closes and locks automatically and cannot open when under load.

The clevis connection removes the need for a connecting link as the hook will connect directly to the chain.

MORE INFORMATION



* Warning! - Incompatible chain sling components may create a hazard by improperly functioning or failing in service (refer AS3775.2-2014 clause 6.3). Before use, a competent person shall ensure that all chain slings and components (including the shorteners) are compatible and that they fit properly without overcrowding. If in doubt – please consult A. Noble & Son Ltd. for advice before proceeding.



Product Specifications

Name	ITEM #	Suits Chain Size (mm)	Weight (kg)	A (mm)	B (mm)	E (mm)	F (mm)	R (mm)	M (mm)	N (mm)	L (mm)	WLL (t)
Hook Nobles Clevis Self-Locking 10t 16mm Gr100	34335	16	5.8	18.5	70.0	61.0	75.0	220.0	170.5	38.0	303.0	10.0
Hook Nobles Clevis Self-Locking 16t 20mm Gr100	34336	20	8.6	25.0	85.0	76.5	80.0	235.0	192.5	50.0	337.0	16.0
Hook Nobles Clevis Self-Locking 2.5t 8mm Gr100	34332	8	0.9	9.5	36.0	36.0	40.0	121.0	90.0	20.0	163.0	2.5
Hook Nobles Clevis Self-Locking 4t 10mm Gr100	34333	10	1.6	12.0	46.0	45.0	50.0	144.0	109.0	26.0	196.5	4.0
Hook Nobles Clevis Self-Locking 6.7t 13mm Gr100	34334	13	2.9	15.0	59.0	53.5	66.0	182.0	138.5	32.5	251.0	6.7

Uncontrolled version printed 25-Jan-2022 .See www.nobles.com.au for latest up-to-date product information.