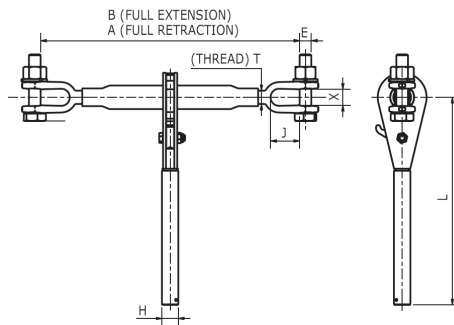
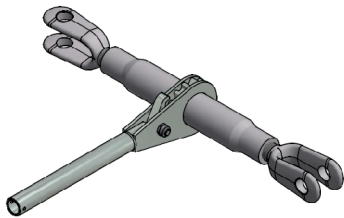


## Nobles Ratchet Loadbinder

The Nobles Ratchet Load binder is made by Nobles in Australia, and is based around our Rigging Screw. Ratchet load binders are well suited for heavy duty tensioning applications as very high tensioning forces can be achieved and more precise adjustment is available. Ratchet load binders also have no kick back when released.

LRR M33 Ratchet Loadbinder 29206 can be supplied with or without jaw bolts. With correct jaw bolts and testing the M33 Ratchet Loadbinder would have a lifting capacity of 8 Tonne. As listed below 29206 is supplied without jaw bolts and testing.



# Product Specifications

Name	ITEM #	Grade	WLL (tonnes)	A (mm)	B (mm)	E (mm)	H (mm)	J (mm)	T (mm)	X (mm)	Weight (kg)
M33 Ratchet Loadbinder - UNRATED, NO JAW BOLTS	29206	P	N/A	574	800	28	33.7	68	M33	38	13.7

Uncontrolled version printed 23-Feb-2020 .See [www.nobles.com.au](http://www.nobles.com.au) for latest up-to-date product information.